



CMV-105



MV-250



MV-350

BACK BAR COOLERS

CMV-105 / MV-250 / MV-350

Key Features

- Forced Air Refrigeration
- Automatic Defrost and Condensate Evaporation
- Adjustable Thermostat
- Bright Interior Lighting
- Sliding or Pull Door Options
- Adjustable Coated Wire Shelves

Model	Doors	Capacity cu.ft (lt)	Shelves	Exterior Dimensions inches (mm)			Interior Dimensions inches (mm)			Power (V-Hz-Ph)	Amps	HP	Crated Weight lbs (kg)
				L	D	H	L	D	H				
CMV-105	2	3 1/4 (90)	3	25 5/8 (650)	14 1/4 (360)	37 1/4 (945)	22 3/4 (580)	9 3/8 (240)	25 1/4 (640)	115.60.1	2	1/4	105 (48)
MV-250	2	8 1/4 (232)	4	35 1/2 (900)	19 5/8 (500)	35 1/2 (900)	31 1/2 (800)	16 3/8 (415)	29 1/2 (750)	115.60.1	2	1/3	158 (72)
MV-350	3	12 1/8 (343)	6	52 1/2 (1330)	19 5/8 (500)	35 1/2 (900)	48 5/8 (1234)	16 3/8 (415)	29 1/2 (750)	115.60.1	3	3/8	214 (98)

## Details

### Cabinet Construction

- Exterior: Galvanized, pre-painted steel cabinet.
  - Black Cabinet on MV-250 and MV-350
  - White Cabinet on CMV-105
- Interior: Durable aluminum lining allows for easy cleaning.
- High-density, CFC-Free, polyurethane insulation.
- Illuminated header on CMV-105 for attractive branding.
- Four (4) adjustable low profile feet.
- MV-250 and MV-350 can be built into a cabinet.
- CMV-105 can be wall mounted.

### Door

- Self-closing sliding glass doors with aluminum frame.
  - Black Frame on MV-250 and MV-350
  - Brushed Aluminum Frame on CMV-105
- Low-E, tempered, thermal glass door for increased efficiency and maximum product visibility.

### Shelving

- Heavy-duty, rust-resistant, adjustable wire shelves.
- Stainless steel shelf supports allow easy adjustment of shelves in one inch increments.

### Lighting

- Bright fluorescent lights provide for maximum illumination of products.
- Utilizes T8 bulbs and an electronic ballast for increased energy efficiency and extended life.

### Electrical

- Ready for connection to 115V/60Hz single phase 20 amp dedicated outlet. Includes an 8' cord and plug set.



NEMA 5-15R

### Refrigeration System

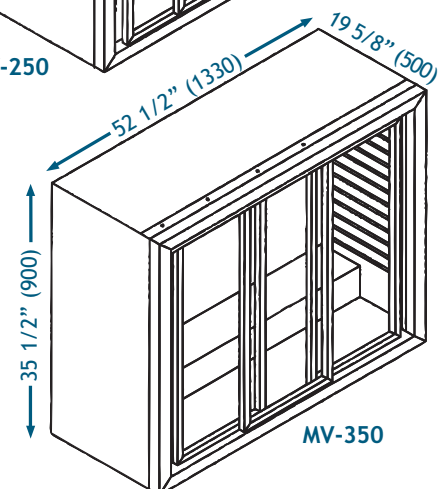
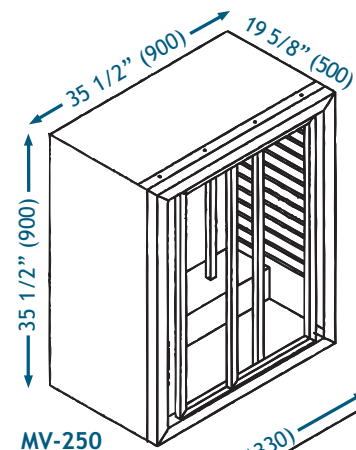
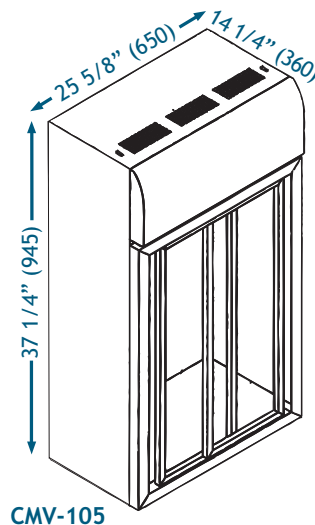
- Forced air, environmentally friendly refrigeration system using CFC-free R134A refrigerant.
- Self-contained heated drain pan and condensate evaporation system.
- Automatic self-defrost cycle.

- Electronic temperature control maintains 34°F to 41°F (1°C to 5°C).
- Bottom mounted refrigeration unit allows for easy maintenance and service (top mounted on CMV-105).

### Options

- 208-230V/ 50Hz
- Pull Doors
- Additional Shelves
- Various Cabinet Colors
- Wall Mounting Hardware

## Technical Drawing



**CMV-105/MV-250/MV-350**



3235 Industry Drive • Suite C  
North Charleston, SC 29418  
Phone: 843-767-6855  
Toll Free: 800-905-4768

Fax: 843-767-6858  
Toll Free Fax: 800-906-4768  
www.atcgroup.net  
sales@atcgroup.net

### WARRANTY

One year warranty on all parts and labor and an additional 4 year prorated warranty on compressor.